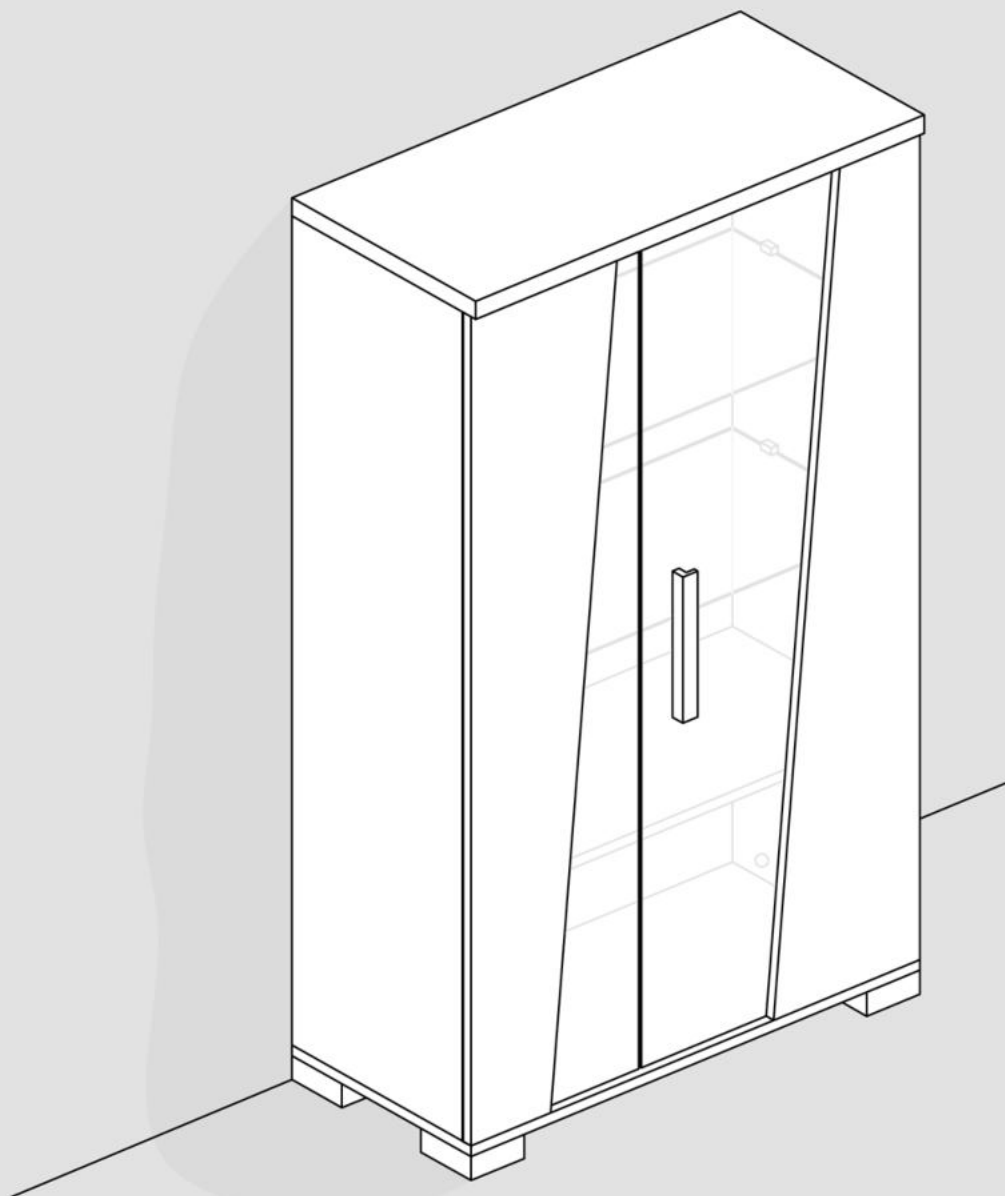
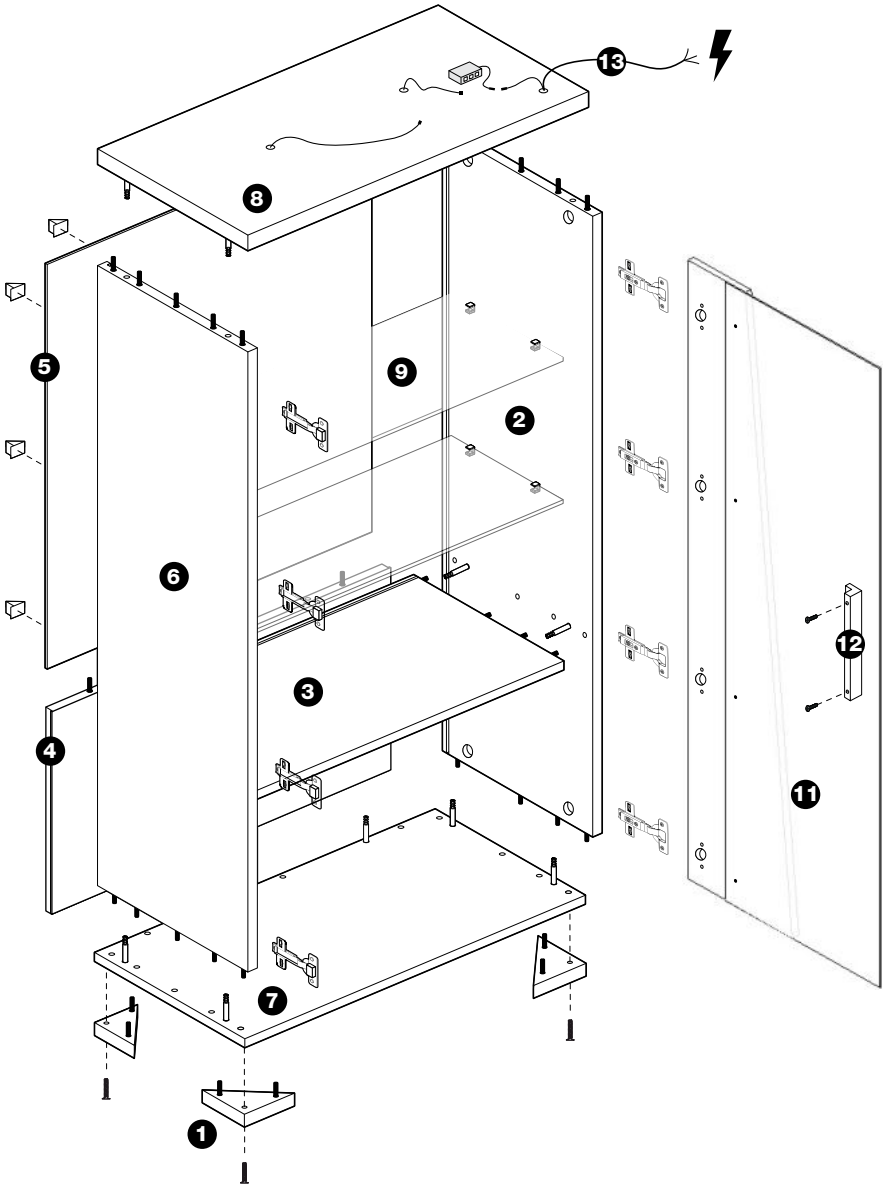


# ASSEMBLING INSTRUCTIONS



**2/D VETRINE  
MOD. LISA**

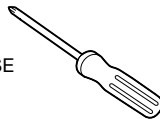
## 2 DOOR VITRINE



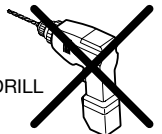
**IMPORTANT**  
ASSEMBLING THIS  
UNIT NEEDS  
MINIMUM 2 PEOPLE



**OK**  
IMPORTANT USE

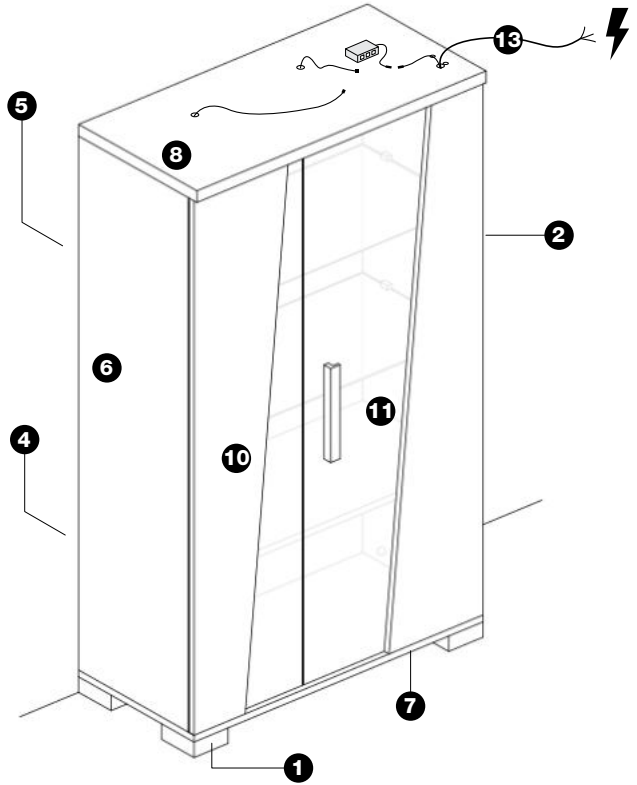


**NO**  
DON'T USE THE DRILL



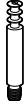







## LEGEND

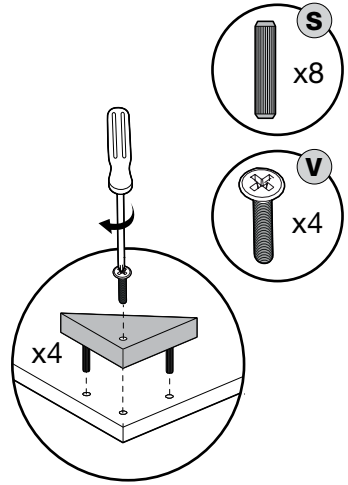
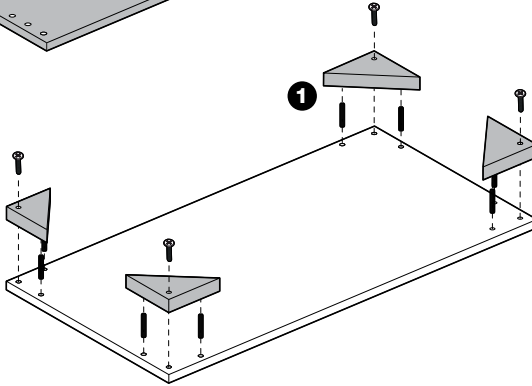
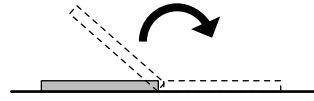
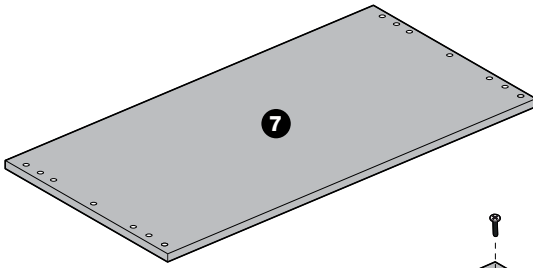
- 1 Feet
- 2 Lateral side (R)
- 3 Central shelf
- 4 Back panel
- 5 Back panel
- 6 Lateral side (L)
- 7 Bottom
- 8 Top
- 9 Central glass shelf
- 10 Lateral Door (L)
- 11 Lateral Door (R)
- 12 Handle
- 13 Electrical kit



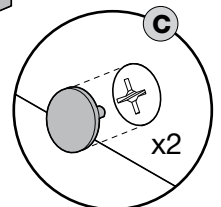
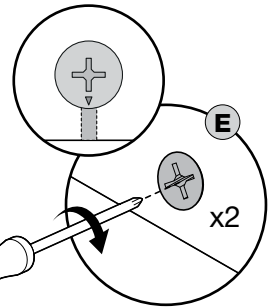
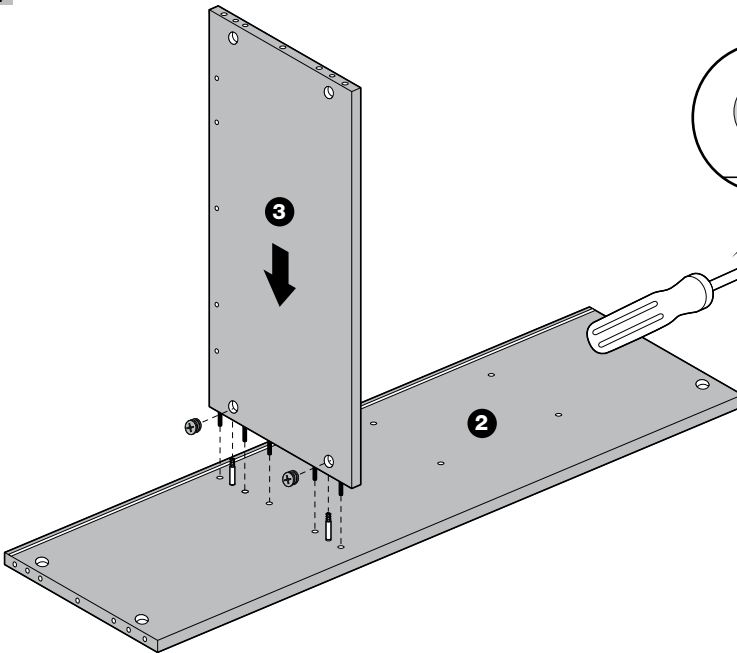
## FITTING CHECK LIST

- |  |               |  |                    |
|--|---------------|--|--------------------|
| <b>S</b>  | Wooden dowels | <b>V</b>  | Screw for feet     |
| <b>T</b>  | Pins          | <b>R</b>  | Shelf support      |
| <b>E</b>  | Cams          | <b>P</b>  | Back panel stopper |
| <b>C</b>  | Cap for cams  | <b>H</b>  | Screw for handle   |

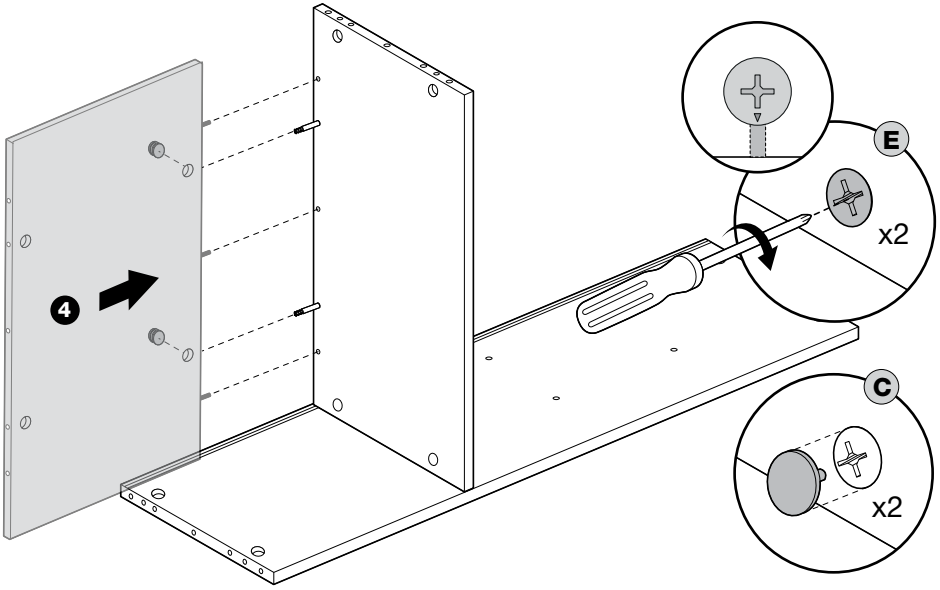
1



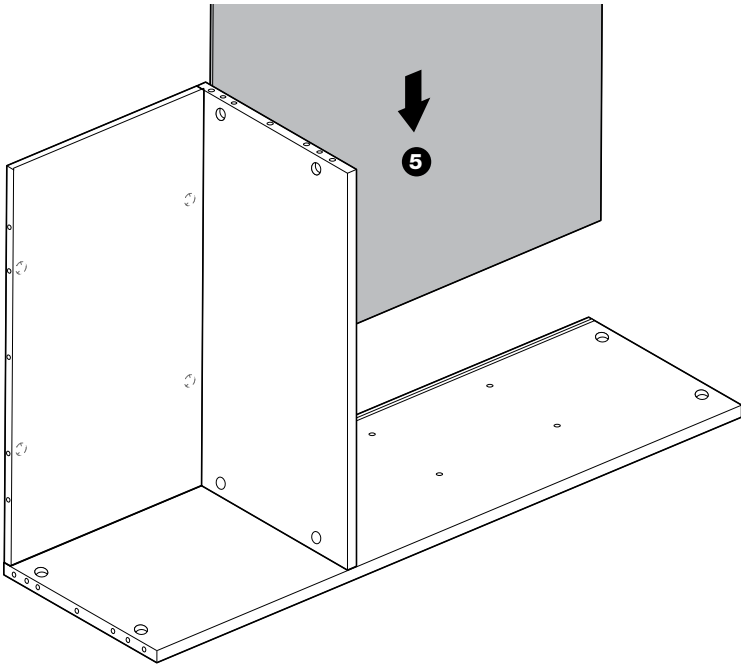
2



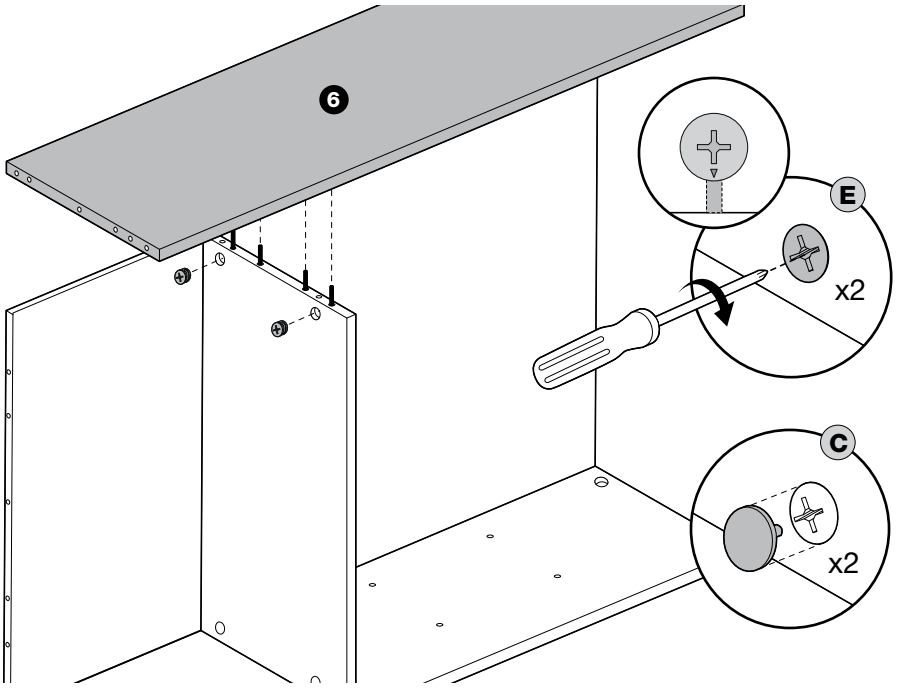
3



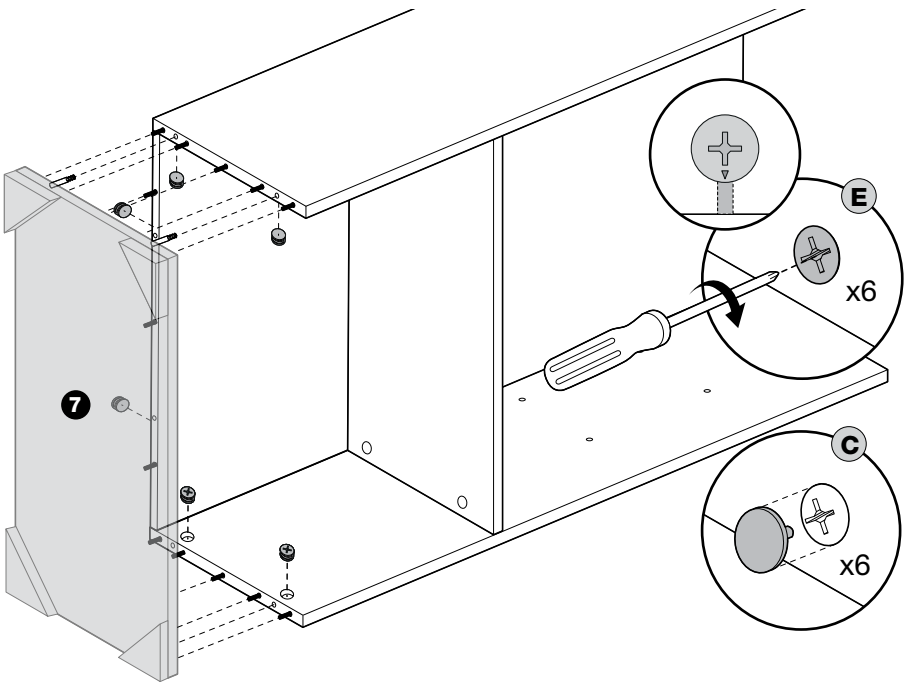
4



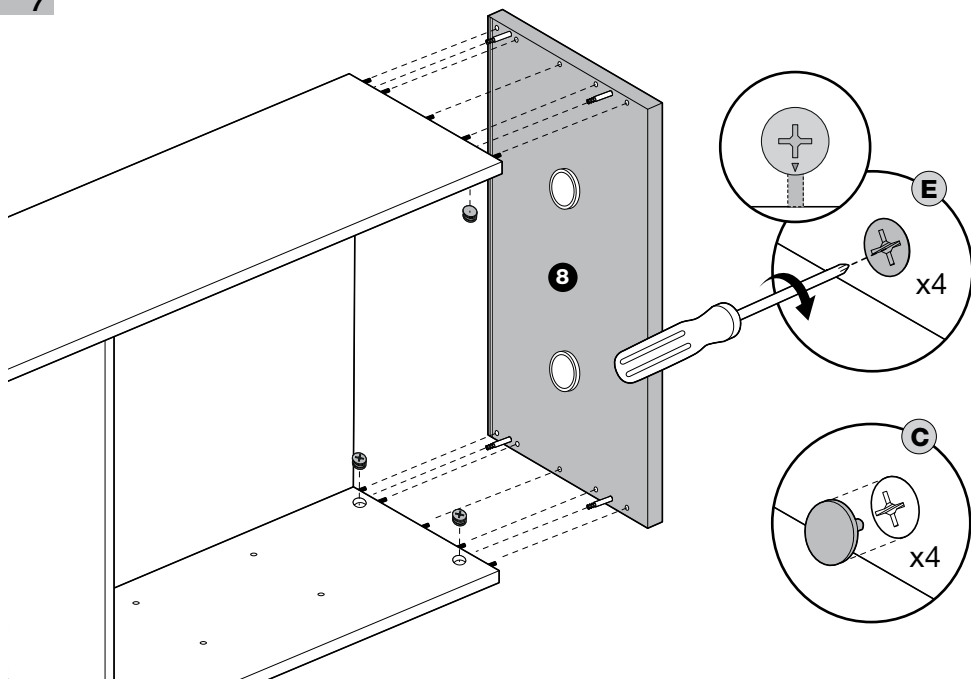
5



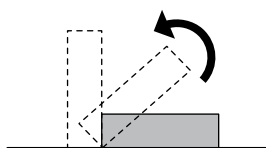
6



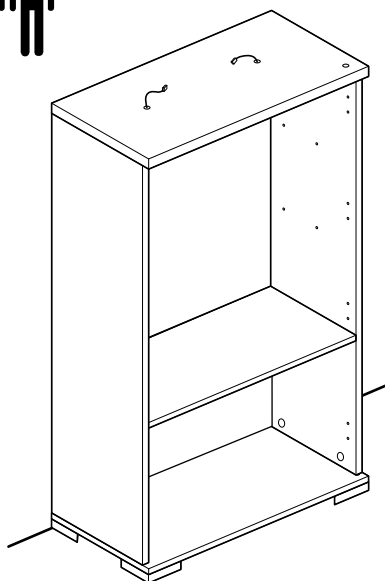
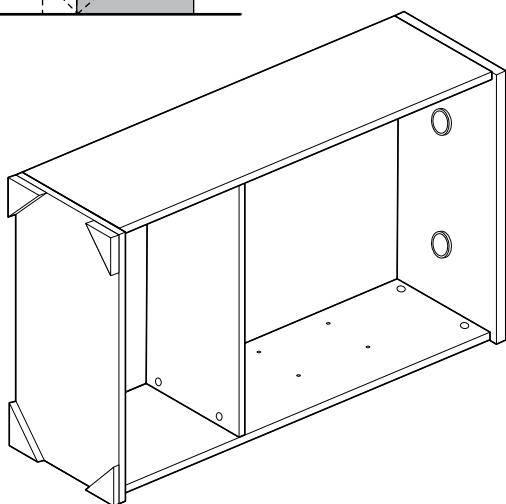
7



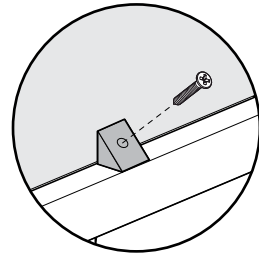
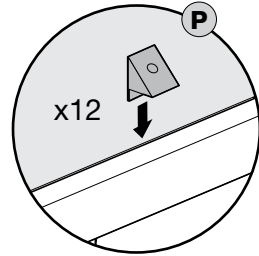
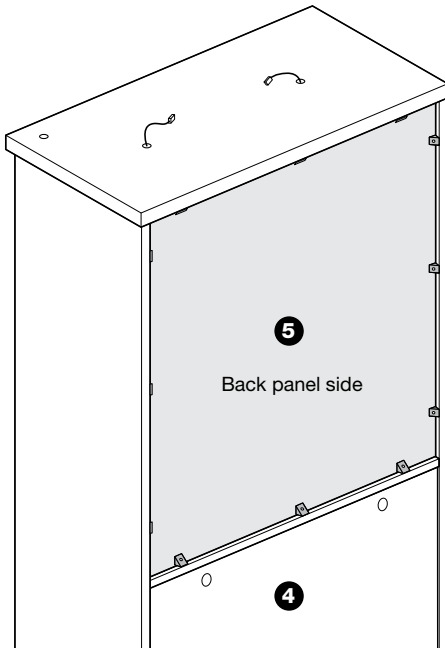
8



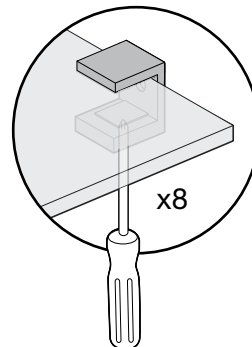
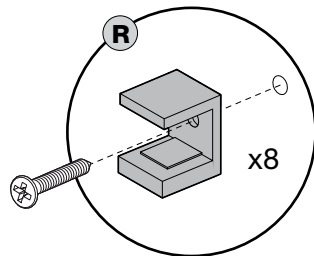
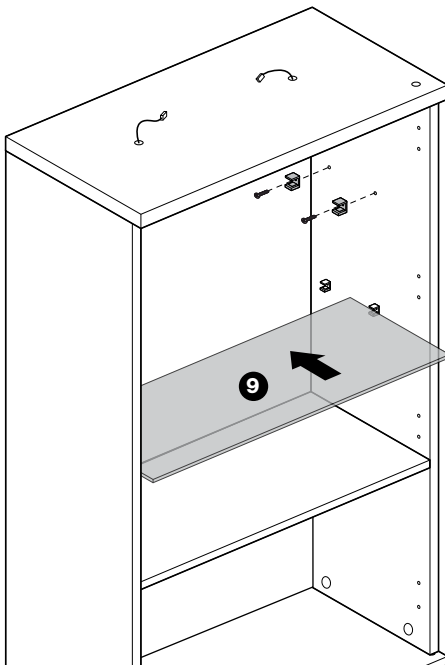
**IMPORTANT**  
ASSEMBLING THIS  
UNIT NEEDS  
MINIMUM 2 PEOPLE



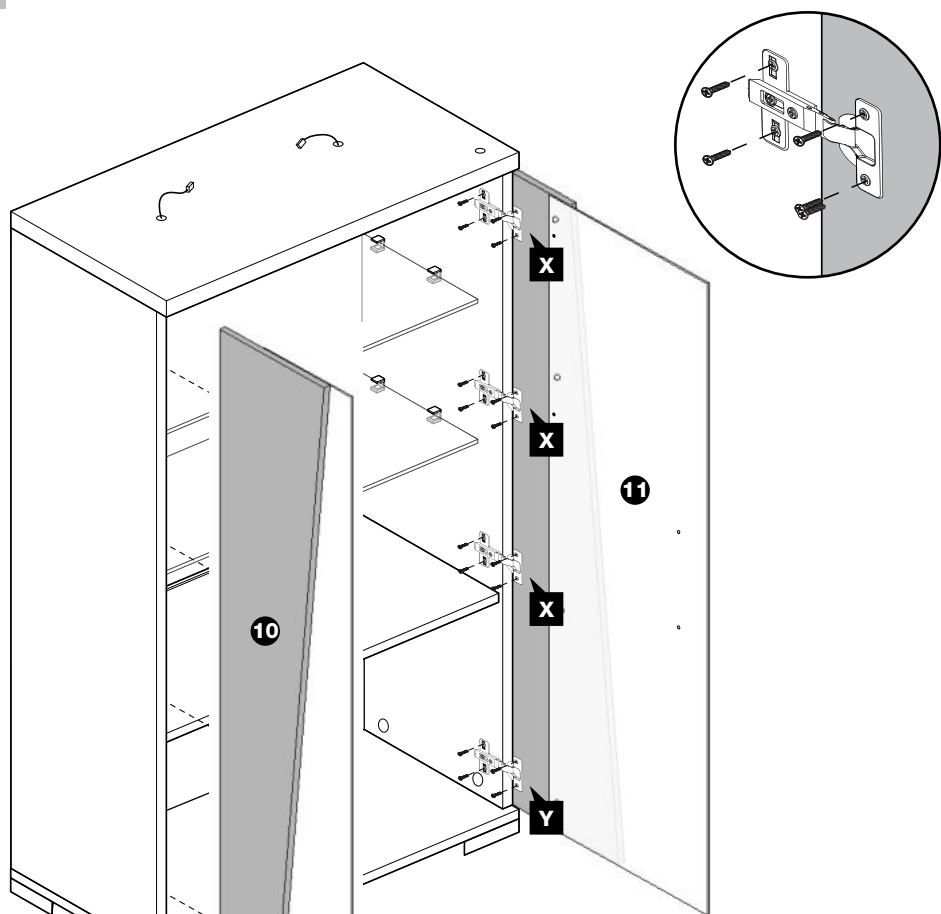
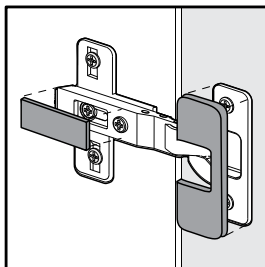
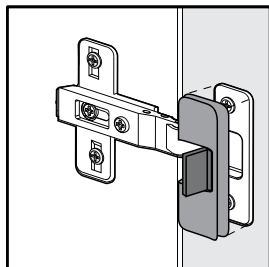
9

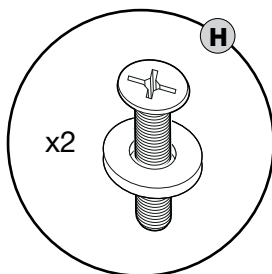
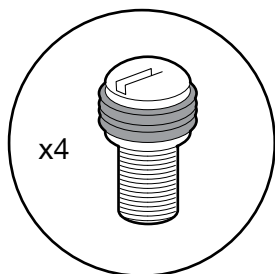
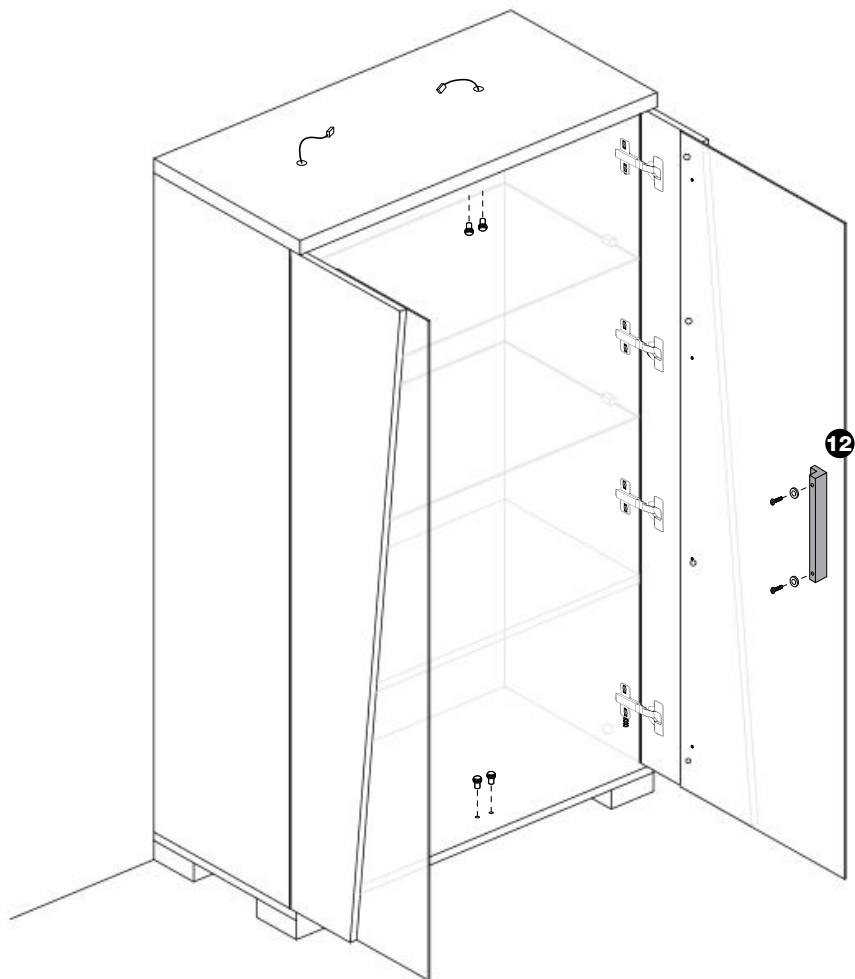


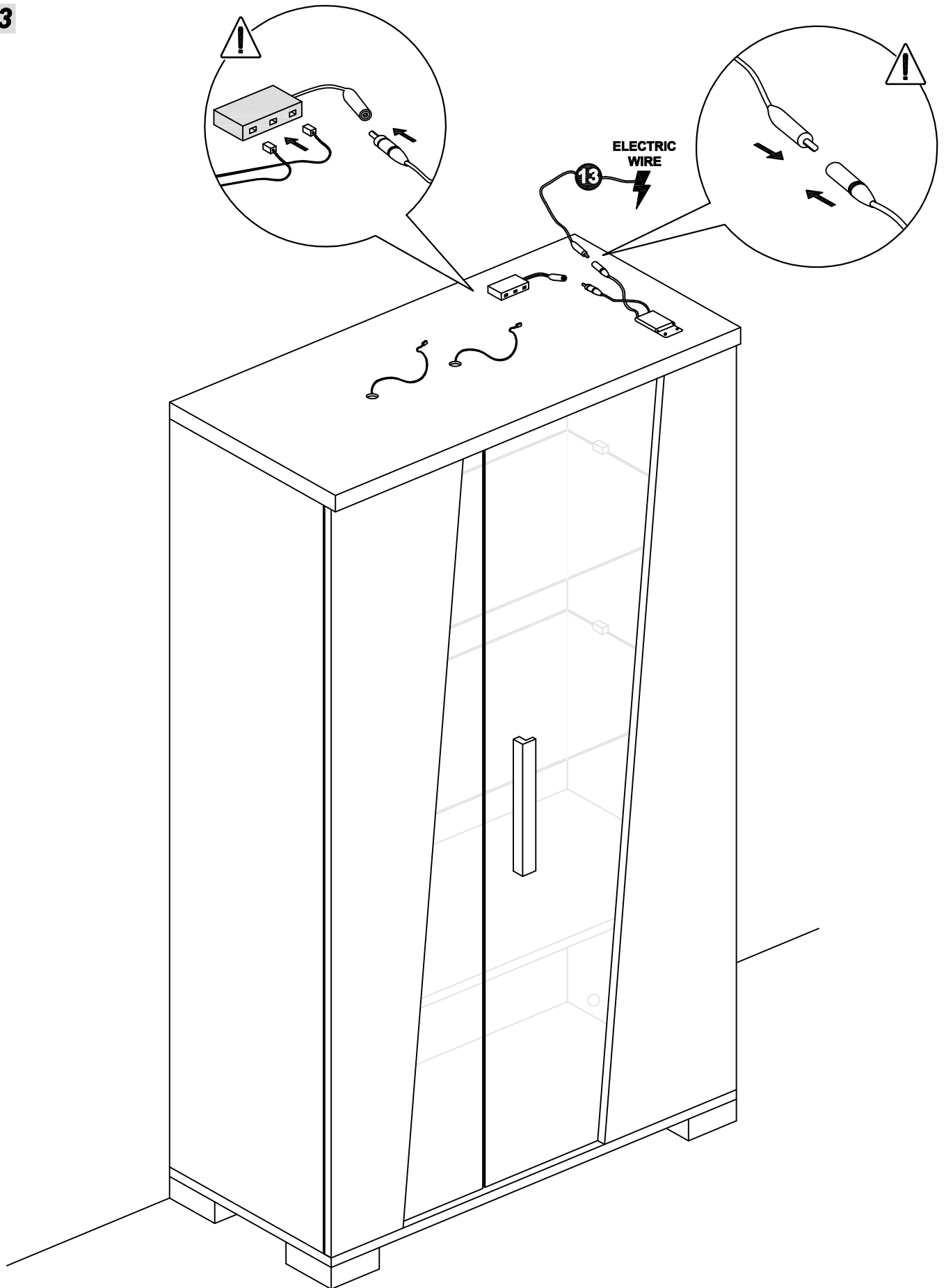
10

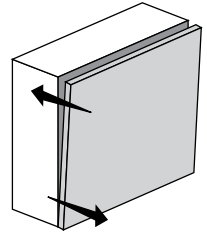
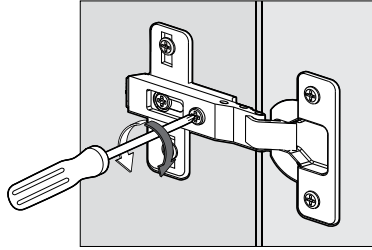
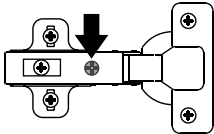
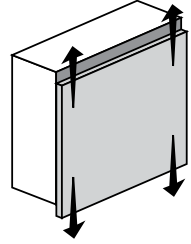
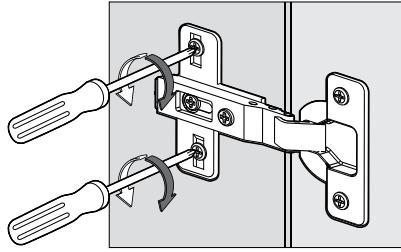
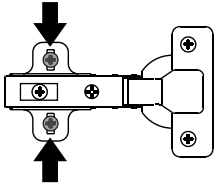




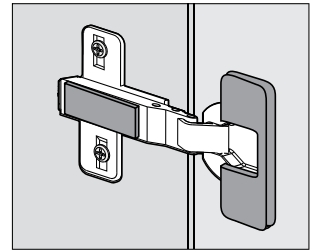
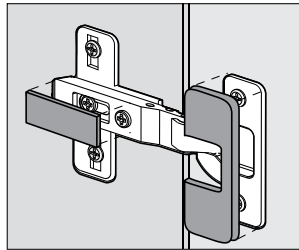
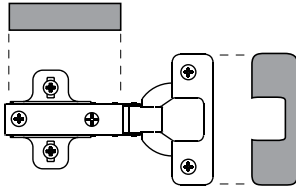
**X****Y**







**X**



**Y**

